



INSTALLATION INSTRUCTIONS

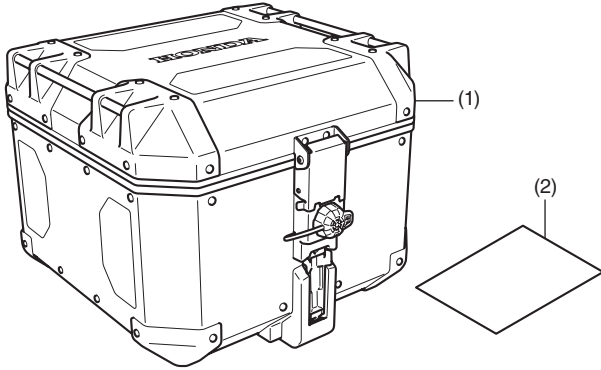
Accessory	Application	Publication No.
TOP BOX P/N 08L73-MKS-E00	CRF1100A/A2/A4/D/D2/D4	MII
		Issue Date
		June 2021

Accessory	Application	Publication No.
TOP BOX P/N 08L73-MKS-E00	CRF1100A/A2/A4/D/D2/D4	MII
		Issue Date
		June 2021

Accessory	Application	Publication No.
TOP BOX P/N 08L73-MKS-E00	CRF1100A/A2/A4/D/D2/D4	MII
		Issue Date
		June 2021

Honda Dealer: Please give a copy of these instructions to your customer.

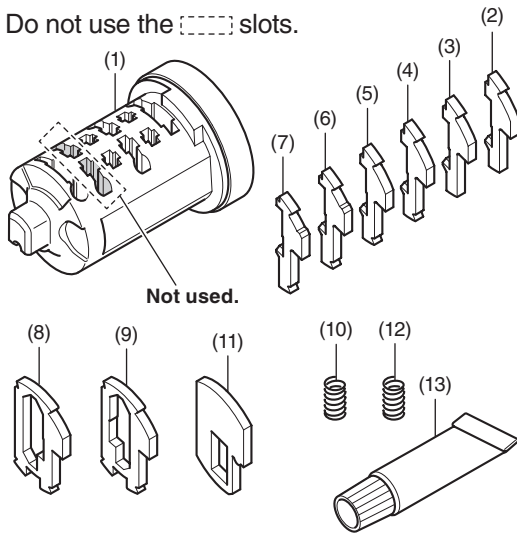
PARTS LIST



No.	Description	Qty
(1)	Top box	1
(2)	URL paper	1

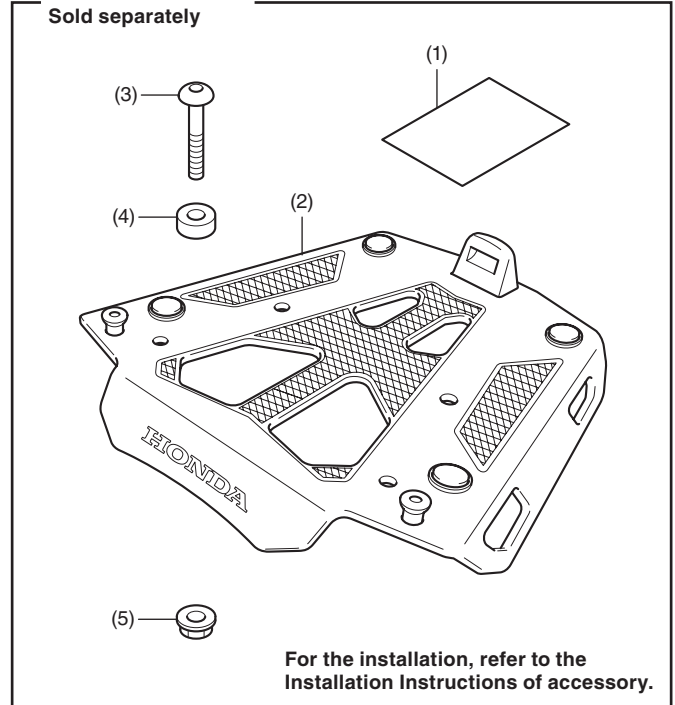
1 KEY INNER CYLINDER (Wave key type)

- Do not use the [] slots.



No.	Description	Qty
(1)	Inner cylinder	1
(2)	No.1 tumbler	6
(3)	No.2 tumbler	6
(4)	No.3 tumbler	6
(5)	No.4 tumbler	6
(6)	No.5 tumbler	6
(7)	No.6 tumbler	6
(8)	Sub-lock tumbler A	1
(9)	Sub-lock tumbler B	1
(10)	Spring (Silver)	13
(11)	Stopper tumbler	2
(12)	Stopper spring (Black)	2
(13)	Grease	1

CARRIER BRACKET Sold separately



For the installation, refer to the Installation Instructions of accessory.

No.	Description	Qty
(1)	URL paper	1
(2)	Carrier base	1
(3)	8 mm socket bolt	4
(4)	Collar	4
(5)	8 mm flange nut	4

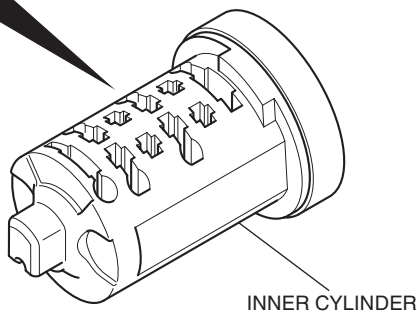
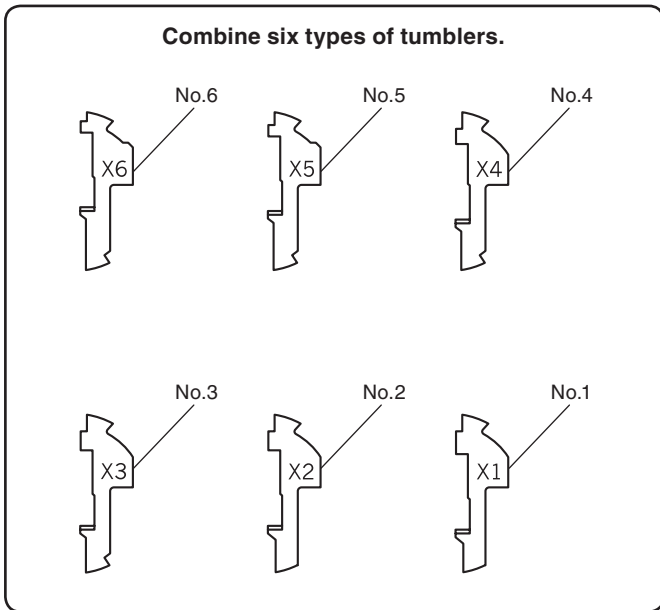
MAXIMUM LOADING CAPACITY

- The weight of the cargo must not exceed the following maximum loading capacity:


Maximum Loading Capacity	
Top box	6.0 kg (13.2 lb)

< Notes regarding the key cylinder >

- This product is used to assemble a key cylinder matching the motorcycle key by combining six types of tumblers.
- When this key cylinder is installed in a box or similar equipment, the installed equipment can be operated with the motorcycle key.

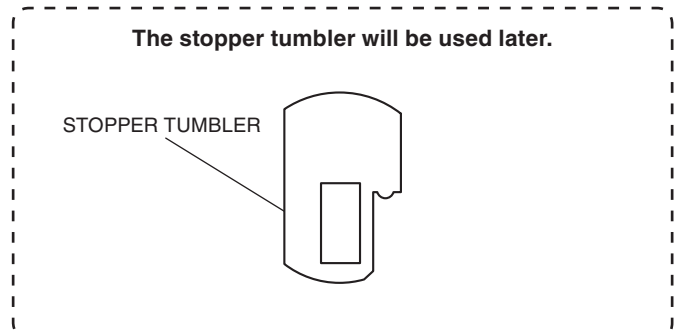
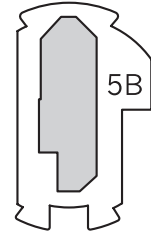
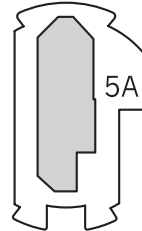



INSTALLATION

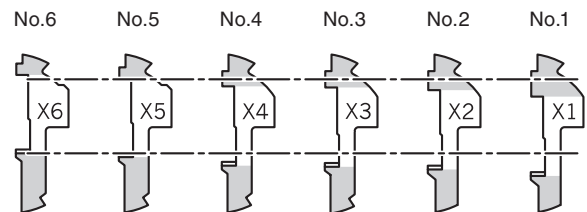
- The two sub-lock tumbler types shown are provided.
 - The  part has a different slot for each of the two sub-lock tumbler types.
 - As the tumblers are small, keep them in the bag until they are used.

SUB-LOCK TUMBLER A

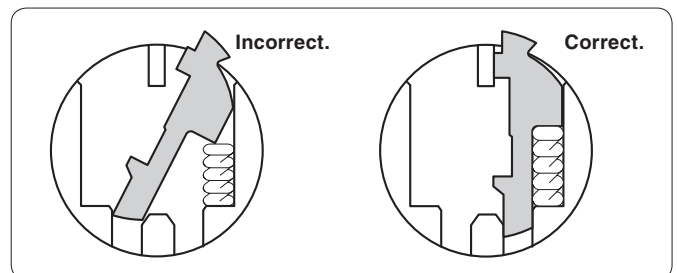
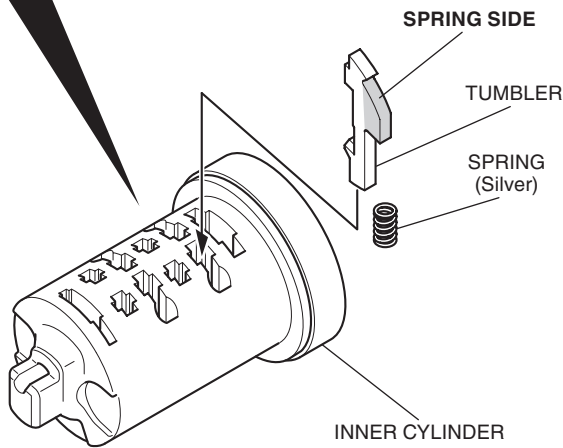
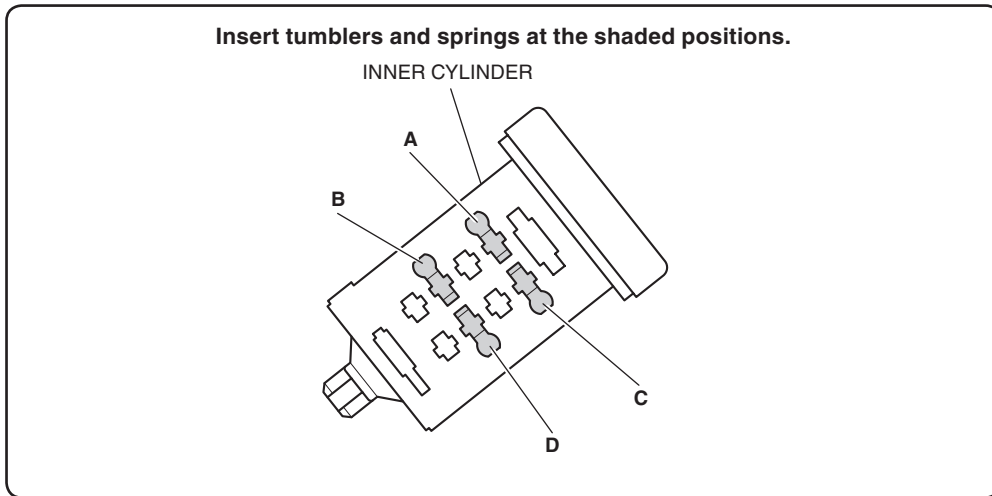
SUB-LOCK TUMBLER B



- The six tumbler types shown are provided.
 - The  part has a different width for each of the six tumbler types.
 - As the tumblers are small, keep them in the bag until they are used.

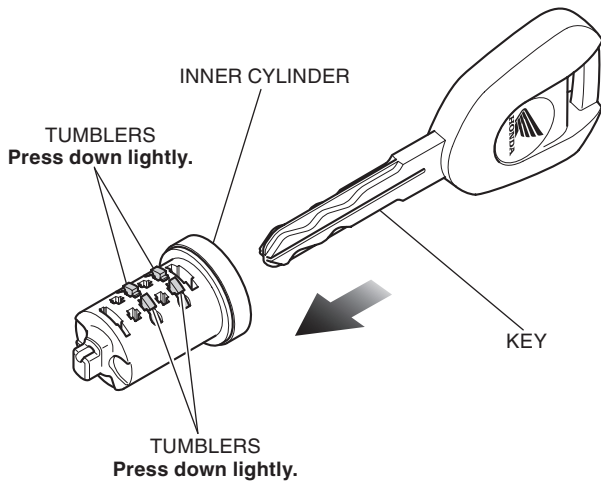


3. Install the tumblers and springs (silver) as shown.
- **First install four No.1 tumblers.**
 - **Note the installed tumbler to below chart.**

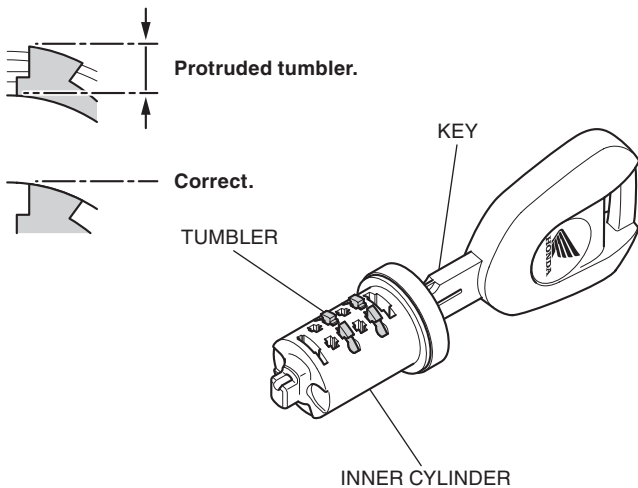


	Position A	Position B	Position C	Position D
No.1 tumbler				
No.2 tumbler				
No.3 tumbler				
No.4 tumbler				
No.5 tumbler				
No.6 tumbler				

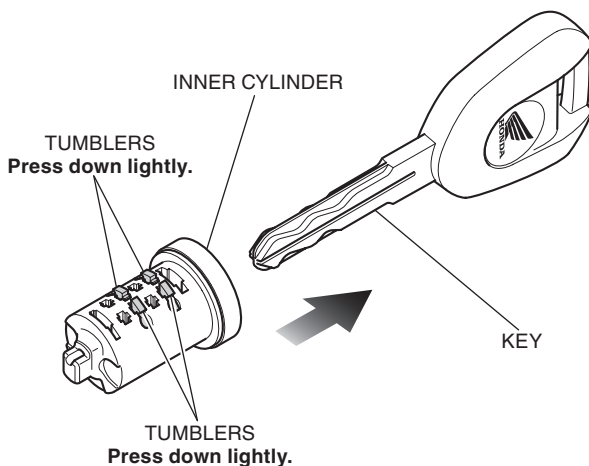
- Insert the key as shown.
 - Lightly press down on the tumblers from above, then insert the key.



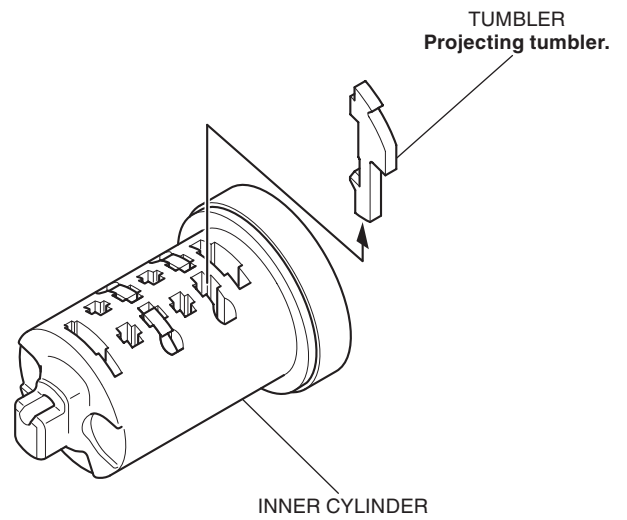
- Confirm that some tumblers are projecting. Mark the positions of the projected tumblers.
 - The positions where tumblers project and the projecting height differ according to the key.



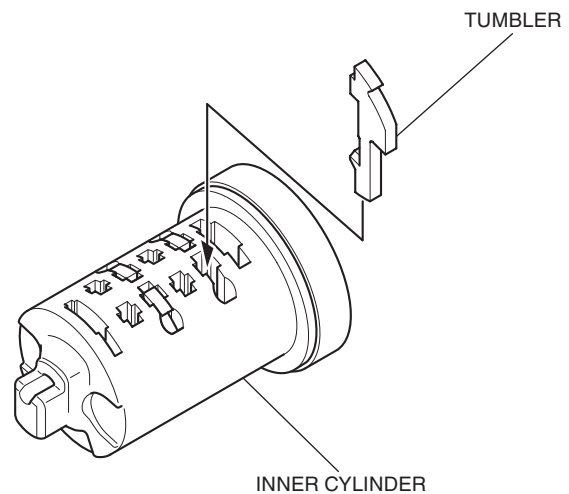
- Press down lightly on the tumbler, pull the key out.
 - The tumbler spring may jump out when the tumbler is not pressed down lightly.



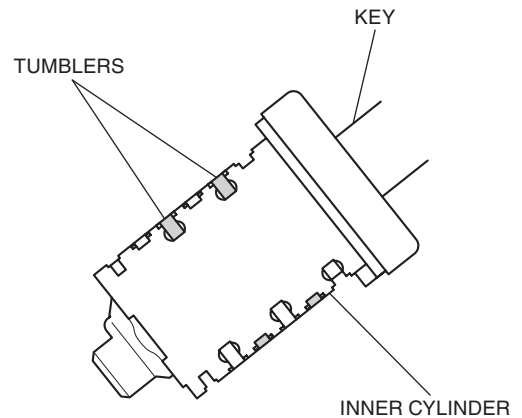
- Pull out the projecting tumbler(s).
 - Leave the spring(s) installed.



- Insert a different tumbler(s) at the marked positions.
 - Use a tumbler of next number one stage.

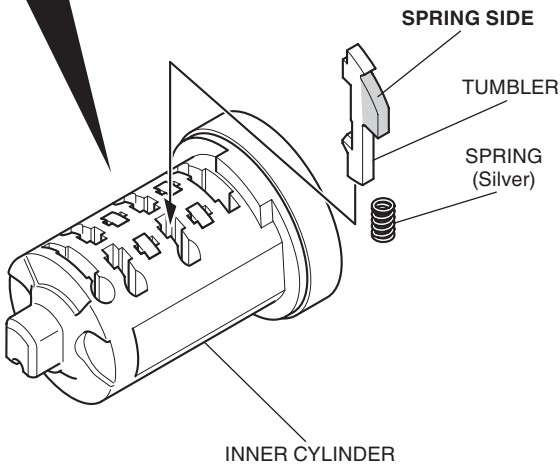
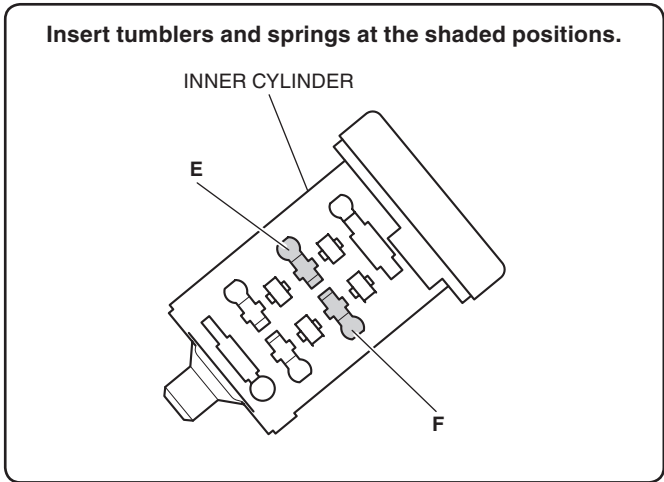


- Repeat steps 4 to 8, inserting different tumblers at the marked positions until no tumblers are projected.
 - Lightly press down on the tumblers from above, then insert the key.



10. Install the tumblers and springs (silver) to the reverse side inner cylinder as shown.

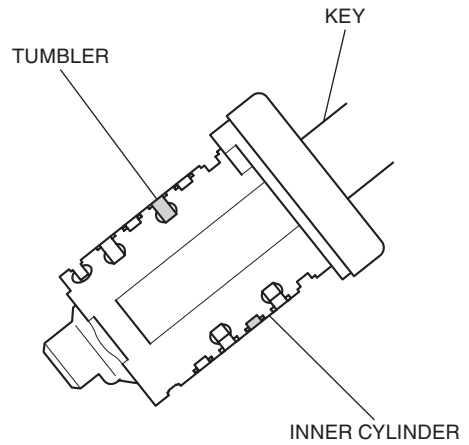
- First install two No.1 tumblers.



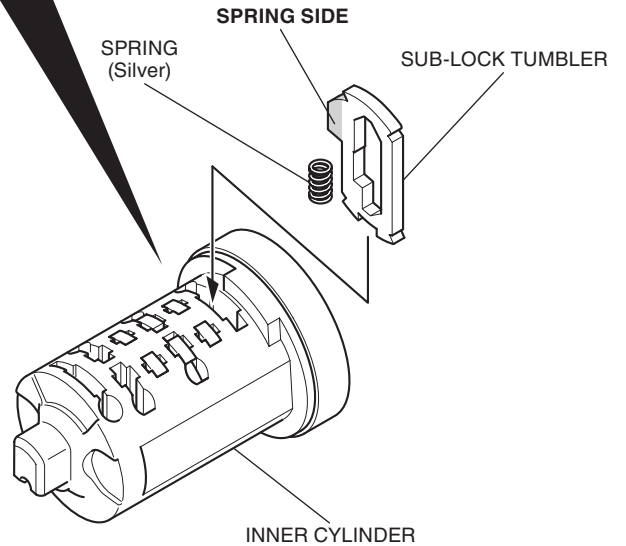
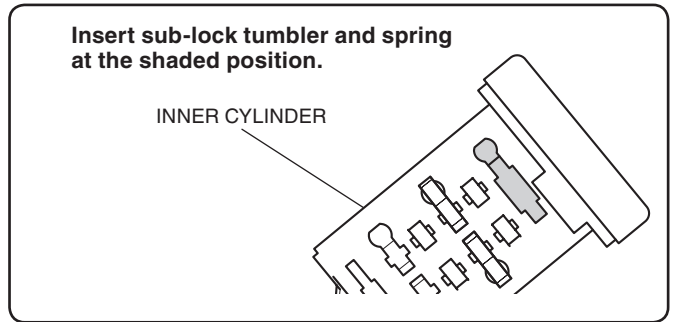
- Note the installed tumbler to below chart.

	Position E	Position F
No.1 tumbler		
No.2 tumbler		
No.3 tumbler		
No.4 tumbler		
No.5 tumbler		
No.6 tumbler		

11. Use steps 4 through 8 to assemble the reverse side inner cylinder in the same manner.



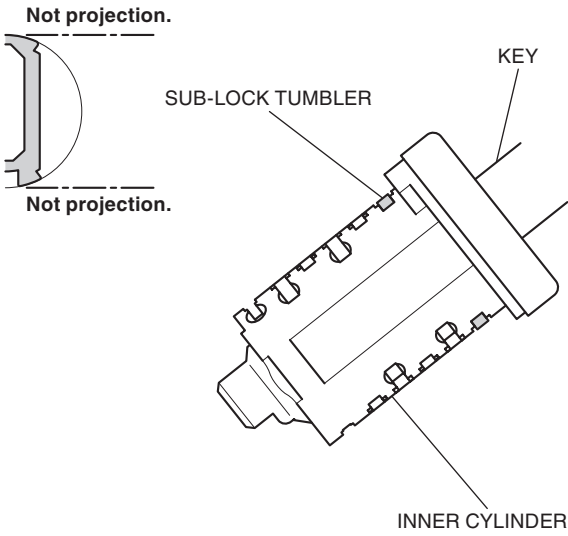
12. Install the sub-lock tumbler as shown.



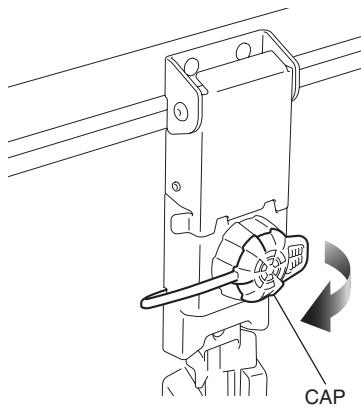
- Note the installed tumbler to below chart.

Sub-lock tumbler A	
Sub-lock tumbler B	

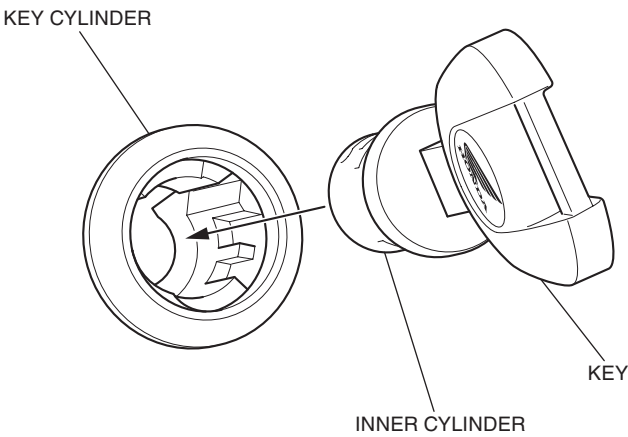
13. Confirm that sub-lock tumbler is not projecting.
- **If the tumbler is projected, change the another sub-lock tumbler and recheck.**



14. Remove the cap as shown.

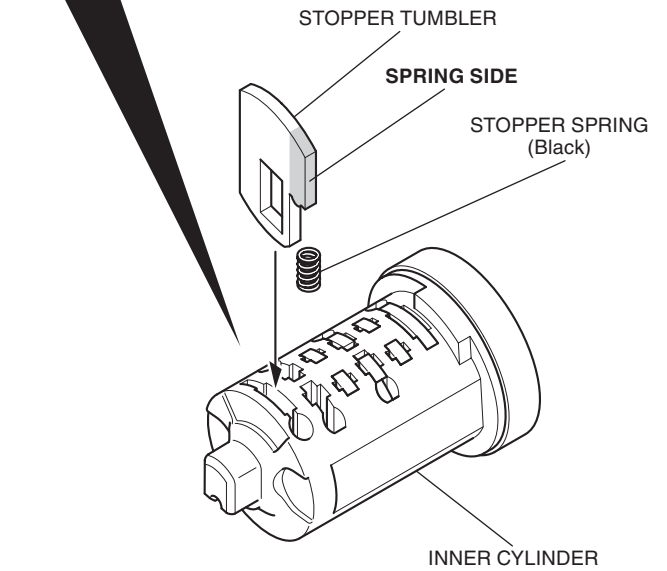
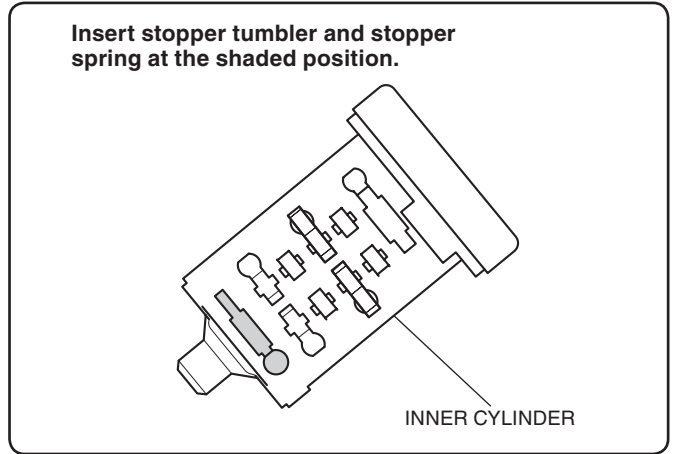


15. Insert the assembled inner cylinder into the key cylinder as shown.
- **Confirm the inner cylinder turns clockwise smoothly.**

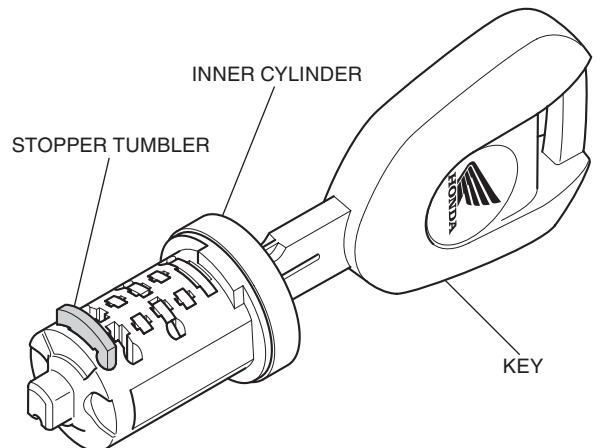


16. Pull out the inner cylinder.
 17. Press down lightly on the tumblers and pull out the key.

18. Install the stopper tumbler and stopper spring (black) as shown.

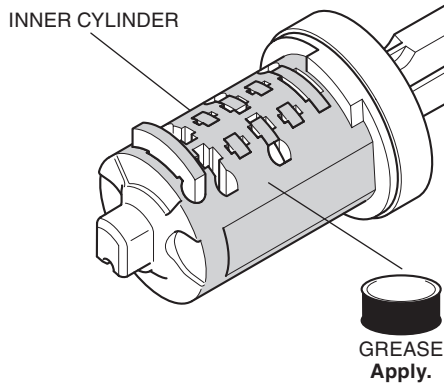


19. Insert the key as shown.
- **Lightly press down on the tumblers from above, then insert the key.**
 - **Confirm that the stopper tumbler jumps out.**



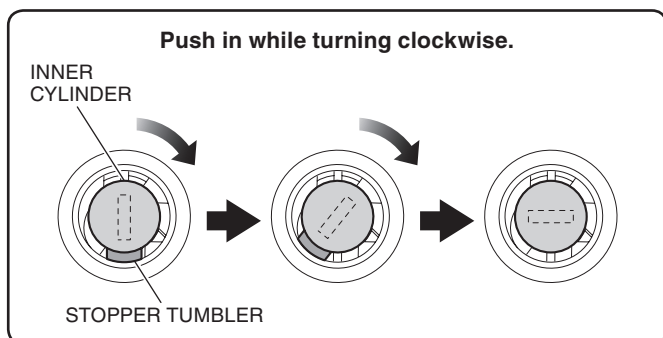
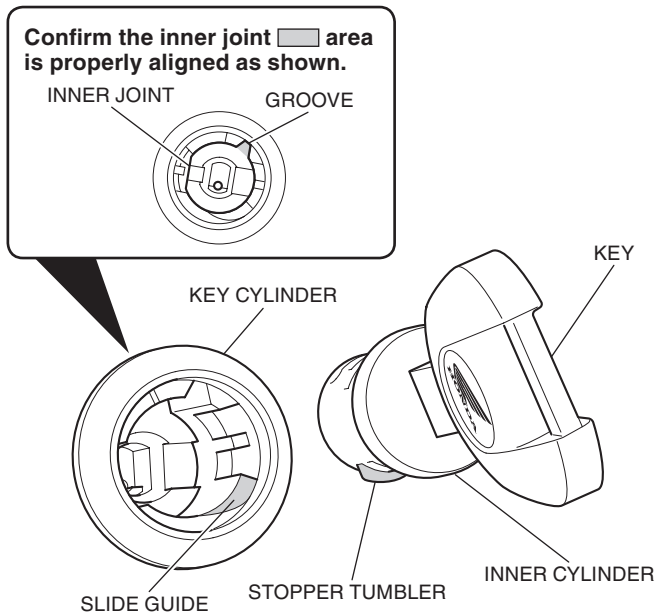
20. Apply grease to the shaded areas as shown.

- Apply to the tumbler and to the outer circumference of the inner cylinder.
- Only use the supplied grease.



21. Install the inner cylinder by sliding the stopper tumbler along the slide guide while rotating it.

- If the inner cylinder cannot be inserted, again confirm that no tumblers other than the stopper tumbler have jumped out.



22. Draw out the key and check that the inner cylinder does not come out.

FOR USE OF THE TOP BOX

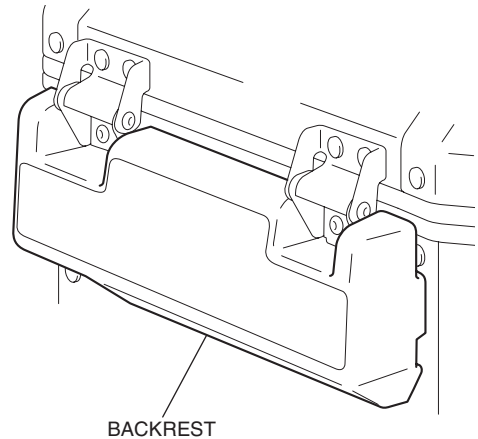
⚠ CAUTION

- To prevent burns, allow the engine, exhaust system, radiator, etc., to cool before installing and removing the accessory.

NOTE:

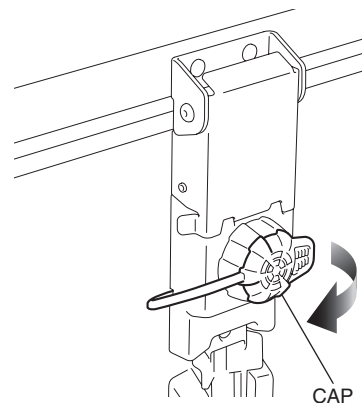
- The surface of the backrest may turn white, but this is not a defective product.

When the surface of backrest turns white, wipe away with a shop towel or a like with water.

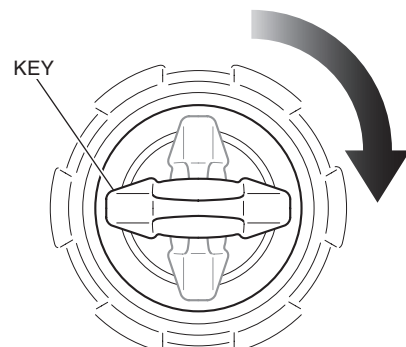


How to Open the Top box

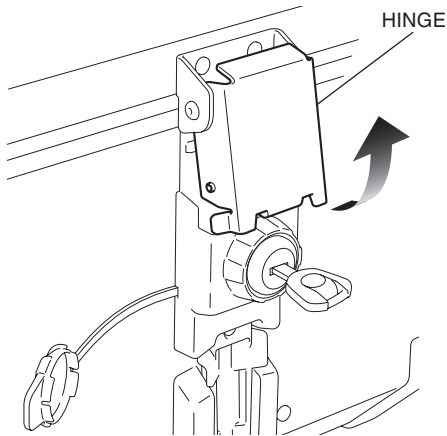
1. Remove the cap as shown.



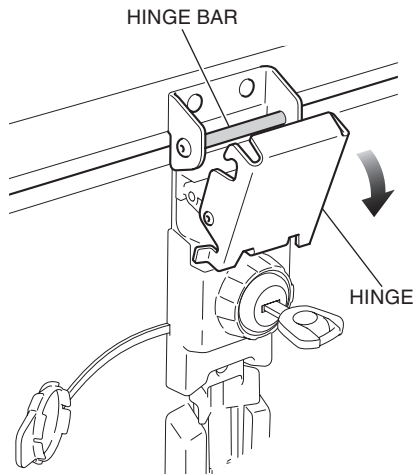
2. Insert the key and release the lock by turning the key clockwise.



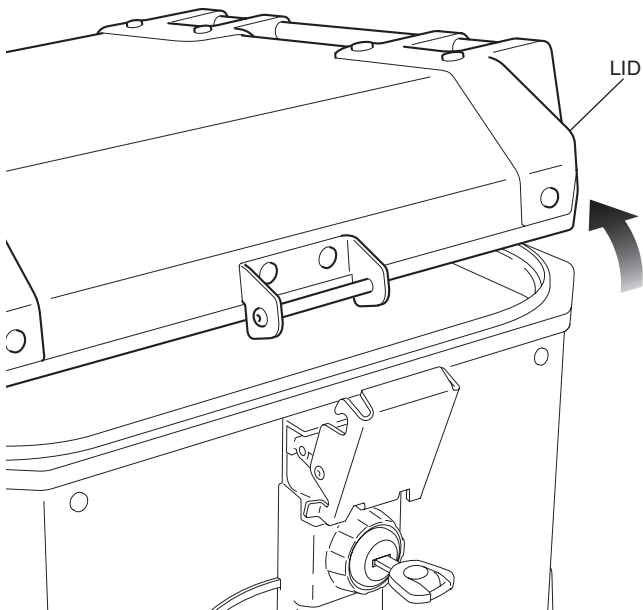
3. Pull the hinge up as shown.



4. Release the hinge from hinge bar as shown.



5. Open the lid as shown.

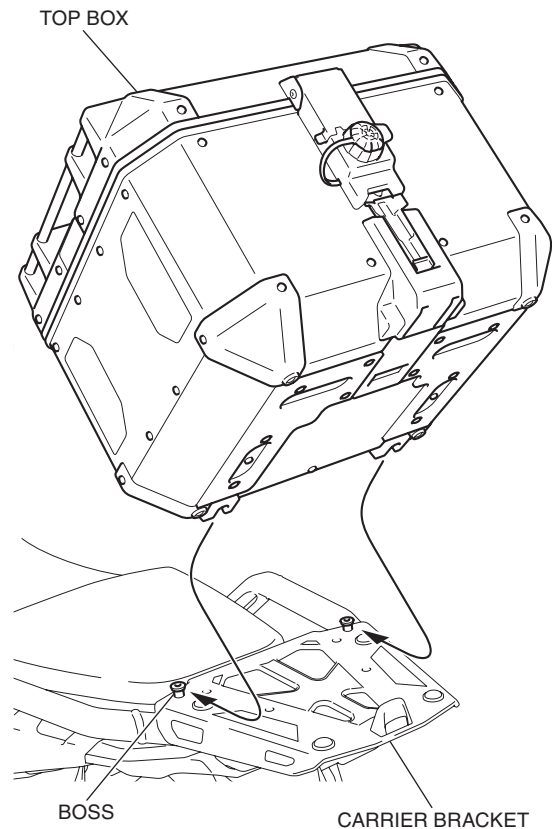


How to Close the Top box

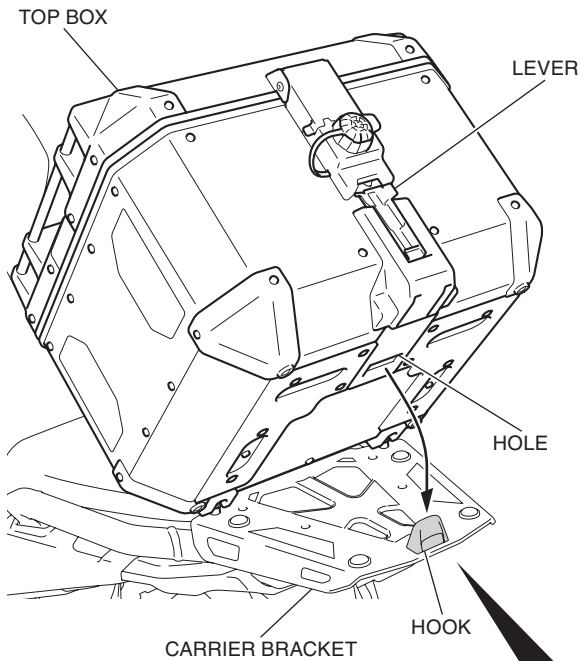
1. Close and lock the top box in the reverse order of opening.
 - **Be careful not to have the stored item pinched when the top box is closed.**

How to Install the Top box

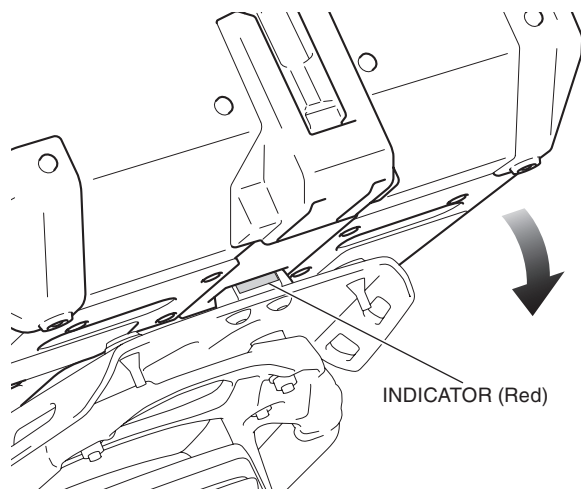
1. Install the carrier bracket (sold separately).
2. Insert the top box into the front bosses as shown.
 - **Installation can be done with the key position is in lock or unlock.**
 - **Installation can be done without inserting the key.**



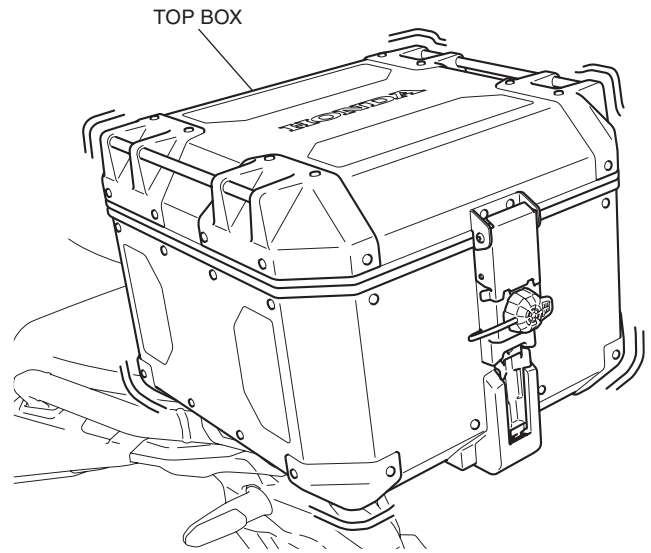
3. Install the top box with aligning the hole of top box with the hook.
 - **When the top box can not be installed, operate the lever and reinstall it.**



Lower the top box until the indicator (red) is hidden as shown.

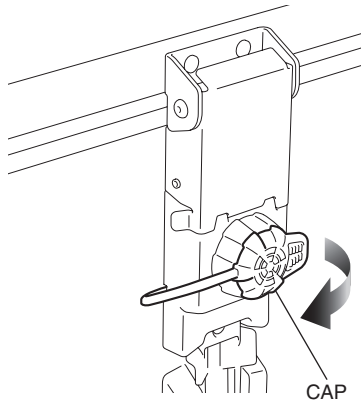


4. If the key is inserted, pull it out and install the cap.
5. Check that the top box is installed securely by swinging the top box taking care not to fall the motorcycle down.
 - **The top box can come off during riding unless it is installed securely.**

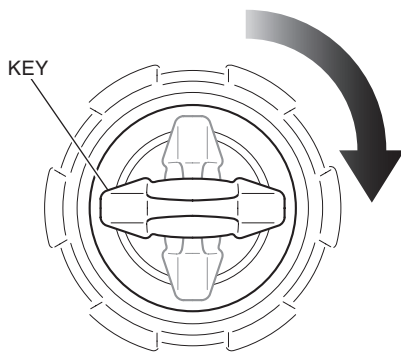


How to Remove the Top box

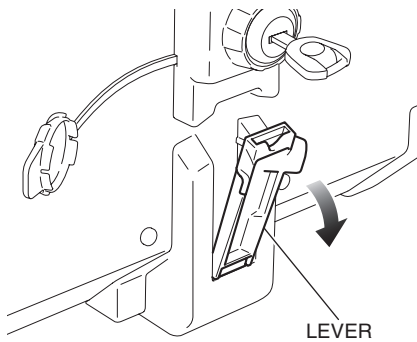
1. Remove the cap as shown.



2. Insert the key and release the lock by turning the key clockwise.



3. Pull the lever as shown.



4. Remove the top box in the reverse order of installation.

How to Store the Top box inner bag

1. Open the top box and store the top box inner bag.
2. Close the top box.
 - **Be careful not to have the stored item pinched when the top box is closed.**